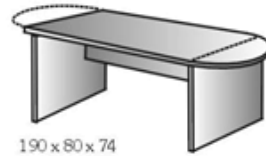


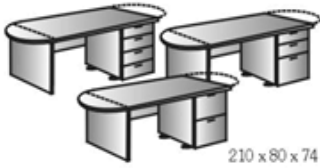
210 x 80 x 74

S-ML 210



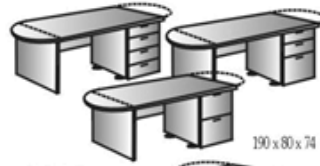
190 x 80 x 74

S-ML 190



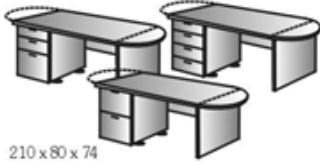
210 x 80 x 74

S-ML 210-4



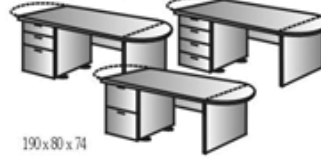
190 x 80 x 74

S-ML 190-4



210 x 80 x 74

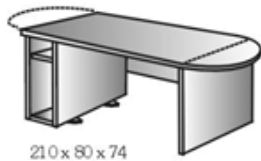
S-ML 210-3



190 x 80 x 74

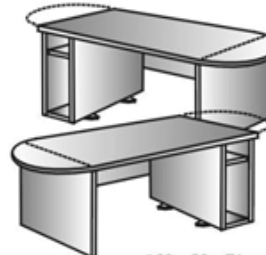
S-ML 190-3

S-ML 210-2



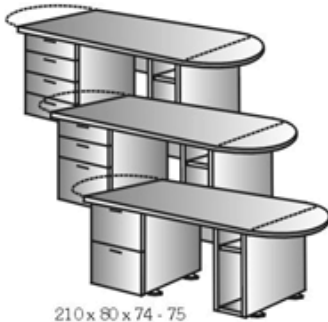
210 x 80 x 74

S-ML 210-CPU



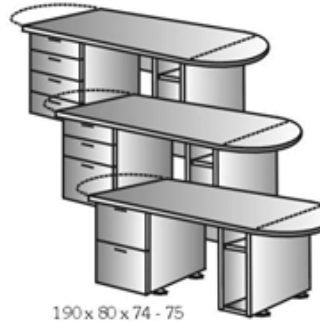
190 x 80 x 74

S-ML 190-CPU



210 x 80 x 74 - 75

YS-ML 210-4-CPU



190 x 80 x 74 - 75

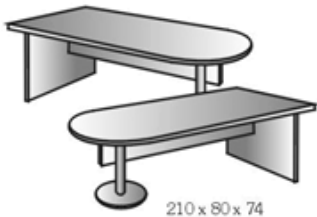
YS-ML 190-4-CPU

YS-ML 210-3-CPU

YS-ML 190-3-CPU

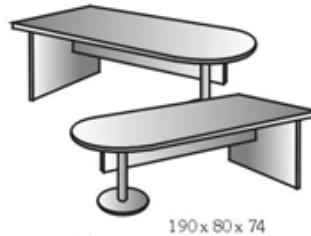
YS-ML 210-2-CPU

YS-ML 190-2-CPU



210 x 80 x 74

S-ML 210 M



190 x 80 x 74

S-ML 190- M



210 x 80 x 74

YS-ML 210-4-M



190 x 80 x 74

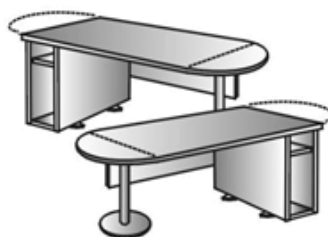
YS-ML 190-4-M

YS-ML 210-3-M

YS-ML 190-3-M

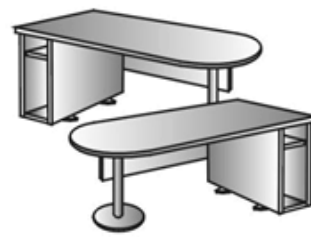
YS-ML 210-2-M

YS-ML 190-2-M



210 x 80 x 74

YS-ML 210-CPU-M



190 x 80 x 74

YS-ML 190-CPU-M